



CONSOLES WITH PLAIN SLOPING TOP AND UPPER LID MODEL QMD

Control consoles in AISI 304 stainless steel (Wnr 1.4301) with 12° sloping lower panel and 70° sloping upper panel with gas struts. Bottom section with hinged door. Reversible lower door. Screwed rear lower panel, fixed upper panel. Fitted with two internal mounting plates in 25/10 FeZn (the lower one is adjustable, the upper one is fixed). IP 65 / IP 55 protection rating (according to dimensions).

TECHNICAL DESCRIPTION

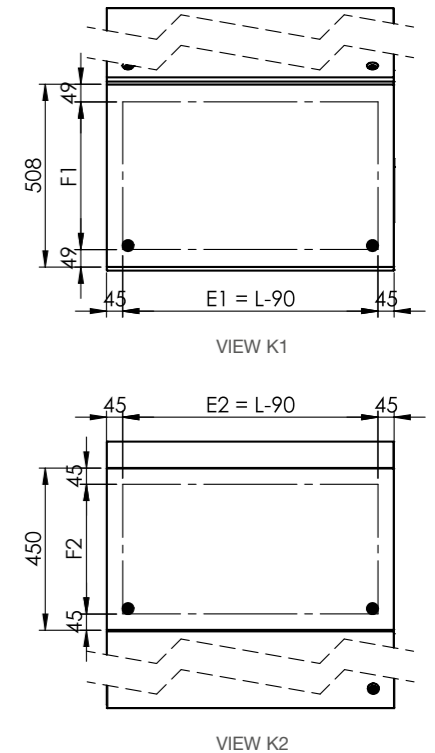
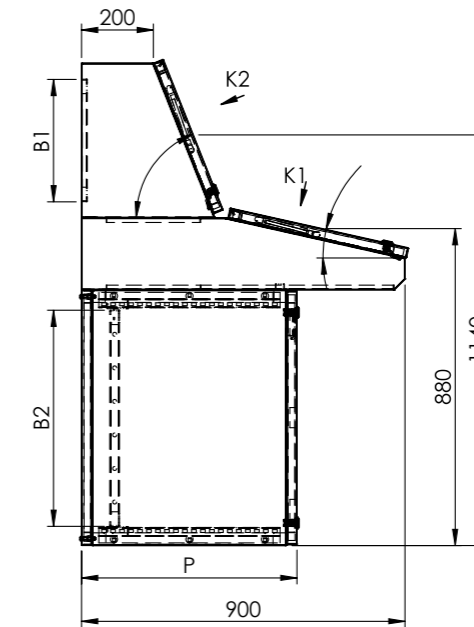
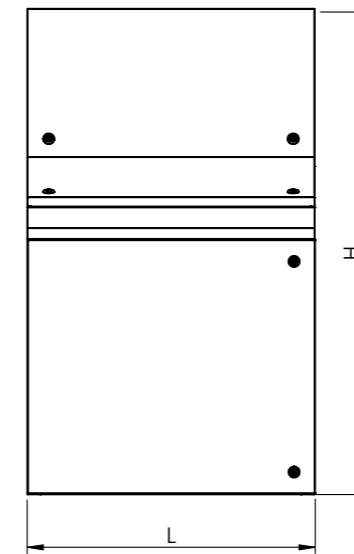
Type of steel: AISI 304 (Wnr 1.4301) Scotch-brite
Thickness: 1.5 mm (0.06")
Door: solid
Lower door fixing: hinges / Lower door opening: 120°
Gasket: polyurethane
Internal mounting plate: upper/lower in 25/10 FeZn
Locking system: 5 mm (0.20") chromed Zamak lock with double bit insert
Bottom: plain cable gland plate
Rear door: over W ≥ 1000 mm (W ≥ 39.37")
Sloping upper/lower panel: 12° sloping lower panel with 90° opening angle / 70° sloping upper panel / Sloping upper/lower panel fixing: hinges

CUSTOMIZATION POSSIBILITIES

Dimensions: adaptable on request*
Thickness: adaptable on request*
Material: AISI 316L (Wnr 1.4404)
Finishes: SN Coarse brushed
Gasket: silicone*
* Check when placing order

ON REQUEST

stainless steel internal mounting plate
plinth



L = W (width)
H = H (height)
P = D (depth)

TECHNICAL DATA

lower door opening: 120°
sloping top opening angle: 90°
upper internal mounting plate (W - 90 mm) x 340 mm (W-3.54") x 13.39"
lower internal mounting plate (W - 90 mm) x 600 mm (W-3.54") x 23.62"
sloping lower panel drill size (W - 90 mm) x 410 mm (W-3.54") x 16.14"
sloping upper panel drill size (W - 90 mm) x 360 mm (W-3.54") x 14.17"



Model	Code	Cable gland plates W x D	No. doors of lower section	External dimensions						Kg	m ³	No. hinges	Upper internal mounting plate dimensions				Lower internal mounting plate dimensions				Lower internal mounting plate adjustment	Sloping lower panel drill size				Sloping upper panel drill size				Certification		
				W		H		D					A1		B1		A2		B2			E1		F1		E2		F2		IP 65 IK 10	UL type 1,12, 4,4x	EX 3D 3G
				mm	in.	mm	in.	mm	in.				mm	in.	mm	in.	mm	in.	mm	in.		mm	in.	mm	in.	mm	in.	mm	in.			
QMD 604	013440010	1 (400 x 250 mm) / (15.75" x 9.84")	1	600	23.62	1340	52.76	400	15.75	73,2	0,39	2	510	20.08	340	13.39	500	19.69	600	23.62	510	20.08	410	16.14	510	20.08	360	14.17	√			
QMD 804	013440020	1 (600 x 250 mm) / (23.62" x 9.84")	1	800	31.50	1340	52.76	400	15.75	87,8	0,51	2	710	27.95	340	13.39	700	27.56	600	23.62	710	27.95	410	16.14	710	27.95	360	14.17	√			
QMD 1004	013440040	1 (800 x 250 mm) / (31.50" x 9.84")	1	1000	39.37	1340	52.76	400	15.75	105,3	0,64	2	910	35.83	340	13.39	900	35.43	600	23.62	910	35.83	410	16.14	910	35.83	360	14.17	√			
QMD 1204	013440060	2 (400 x 250 mm) / (15.75" x 9.84")	2	1200	47.24	1340	52.76	400	15.75	126,4	0,77	2 each door	1110	43.70	340	13.39	1100	43.31	600	23.62	1110	43.70	410	16.14	1110	43.70	360	14.17	√			
QMD 1404	013440080	2 (500 x 250 mm) / (19.69" x 9.84")	2	1400	55.12	1340	52.76	400	15.75	151,7	0,90	2 each door	1310	51.57	340	13.39	1300	51.18	600	23.62	1310	51.57	410	16.14	1310	51.57	360	14.17	√			
QMD 1604	013440100	2 (600 x 250 mm) / (23.62" x 9.84")	2	1600	62.99	1340	52.76	400	15.75	182,0	1,02	2 each door	1510	59.45	340	13.39	1500	59.06	600	23.62	1510	59.45	410	16.14	1510	59.45	360	14.17	√			
QMD 1804	013440120	2 (700 x 250 mm) / (27.56" x 9.84")	2	1800	70.87	1340	52.76	400	15.75	218,4	1,15	2 each door	1710	67.32	340	13.39	1700	66.93	600	23.62	1710	67.32	410	16.14	1710	67.32	360	14.17	√			
QMD 2004	013440140	2 (800 x 250 mm) / (31.50" x 9.84")	2	2000	78.74	1340	52.76	400	15.75	262,1	1,28	2 each door	1910	75.20	340	13.39	1900	74.80	600	23.62	1910	75.20	410	16.14	1910	75.20	360	14.17	√			
QMD 606	013440160	1 (400 x 250 mm) / (15.75" x 9.84")	1	600	23.62	1340	52.76	600	23.62	86,2	0,58	2	510	20.08	340	13.39	500	19.69	600	23.62	510	20.08	410	16.14	510	20.08	360	14.17	√			
QMD 806	013440180	1 (600 x 250 mm) / (23.62" x 9.84")	1	800	31.50	1340	52.76	600	23.62	103,4	0,77	2	710	27.95	340	13.39	700	27.56	600	23.62	710	27.95	410	16.14	710	27.95	360	14.17	√			
QMD 1006	013440200	1 (800 x 250 mm) / (31.50" x 9.84")	1	1000	39.37	1340	52.76	600	23.62	124,1	0,95	2	910	35.83	340	13.39	900	35.43	600	23.62	910	35.83	410	16.14	910	35.83	360	14.17	√			
QMD 1206	013440220	2 (400 x 250 mm) / (15.75" x 9.84")	2	1200	47.24	1340	52.76	600	23.62	149,0	1,14	2 each door	1110	43.70	340	13.39	1100	43.31	600	23.62	1110	43.70	410	16.14	1110	43.70	360	14.17	√			
QMD 1406	013440240	2 (500 x 250 mm) / (19.69" x 9.84")	2	1400	55.12	1340	52.76	600	23.62	179,0	1,33	2 each door	1310	51.57	340	13.39	1300	51.18	600	23.62	1310	51.57	410	16.14	1310	51.57	360	14.17	√			
QMD 1606	013440260	2 (600 x 250 mm) / (23.62" x 9.84")	2	1600	62.99	1340	52.76	600	23.62	214,5	1,32	2 each door	1510	59.45	340	13.39	1500	59.06	600	23.62	1510	59.45	410	16.14	1510	59.45	360	14.17	√			
QMD 1806	013440280	2 (700 x 250 mm) / (27.56" x 9.84")	2	1800	70.87	1340	52.76	600	23.62	257,0	1,71	2 each door	1710	67.32	340	13.39	1700	66.93	600	23.62	1710	67.32	410	16.14	1710	67.32	360	14.17	√			
QMD 2006	013440300	2 (800 x 250 mm) / (31.50" x 9.84")	2	2000	78.74	1340	52.76	600	23.62	309,0	1,90	2 each door	1910	75.20	340	13.39	1900	74.80	600	23.62	1910	75.20	410	16.14	1910	75.20	360	14.17	√			