

CONSOLES WITH PLAIN SLOPING TOP AND UPPER LID MODEL DPEW



Control consoles in AISI 304 stainless steel with 10° sloping lower panel and 78° sloping upper panel with gas struts. Lower section with removable door. Screwed rear door. Complete with lifting eyebolts and two adjustable internal mounting plates in 25/10 FeZn. Standard cable entry plinth H=100 mm (3.94") with open bottom. IP 65 / IP 55 protection rating (according to dimensions).

TECHNICAL DESCRIPTION

Type of steel: AISI 304 (Wnr 1.4301) Scotch-brite
Thickness: 1.5 mm (0.06")
Door: solid
Door fixing: hinges / lower door: removable
Gasket: polyurethane
Internal mounting plate: included in 25/10 FeZn
Locking system: 5 mm (0.20") chromed Zamak lock with double bit insert
Bottom: plain cable gland plate
Rear door: screwed
Sloping upper/lower panel: 10° sloping lower panel with 90° opening angle / 78° sloping upper panel / Sloping upper/lower panel fixing: hinges

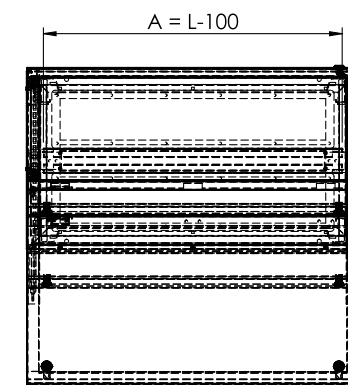
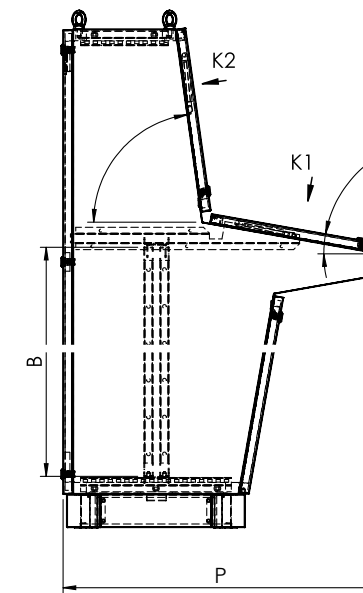
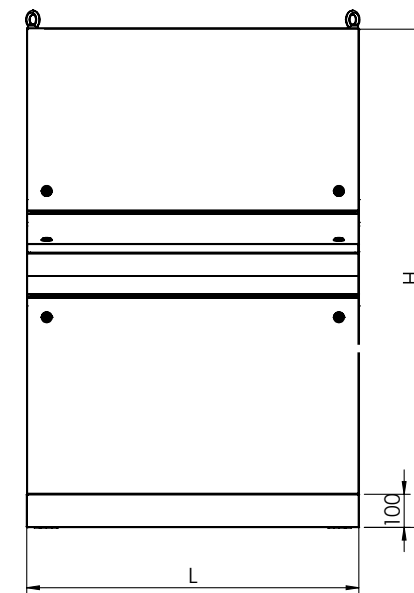
CUSTOMIZATION POSSIBILITIES

Dimensions: adaptable on request*
Thickness: adaptable on request*
Material: AISI 316L (Wnr 1.4404)
Finishes: SN Coarse brushed
Gasket: silicone*

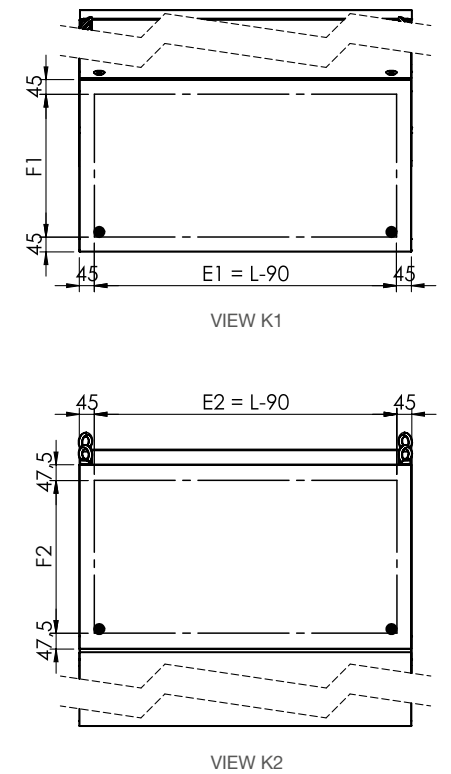
* Check when placing order

ON REQUEST

stainless steel internal mounting plate



L = W (width)
H = H (height)
P = D (depth)



TECHNICAL DATA

internal mounting plate	(W - 100 mm) (W - 3.94")
sloping lower panel drill size for	for H - 1220: (W - 90 mm) (W - 3.54") for H - 1500: (W - 90 mm) (W - 3.54")
sloping upper panel drill size	for H - 1220: (W - 90 mm) (W - 3.54") for H - 1500: (W - 90 mm) (W - 3.54")



Model	Code	Cable gland plates W x P	External dimensions						Kg	m ³	No. hinges	Upper internal mounting plate dimensions				Lower internal mounting plate adjustment	Sloping lower panel drill size				Sloping upper panel drill size				Certification		
			W		H		D					A		B			E1		F1		E2		F2		IP 65 IK 10	UL type 1,12, 4,4x	EX 3D 3G
			mm	in.	mm	in.	mm	in.				mm	in.	mm	in.		mm	in.	mm	in.	mm	in.	mm	in.			
DPEW 812	013430010	2 (600x 125 mm) / (23.62" x 4.92")	800	31.50	1220	48.03	820	32.28	102,9	0,94	2	700	27.56	690	27.17	710	27.95	400	15.75	710	27.95	240	9.45	√			
DPEW 1012	013430020	2 (700 x 125 mm) / (26.56" x 4.92")	1000	39.37	1220	48.03	820	32.28	128,6	1,17	2	900	35.43	690	27.17	910	35.83	400	15.75	910	35.83	240	9.45	√			
DPEW 1212	013430040	2 (1000x 125 mm) / (39.37" x 4.92")	1200	47.24	1220	48.03	820	32.28	154,4	1,41	2	1100	43.31	690	27.17	1110	43.70	400	15.75	1110	43.70	240	9.45	√			
DPEW 1412	013430060	2 (1200x 125 mm) / (47.24" x 4.92")	1400	55.12	1220	48.03	820	32.28	179,06	1,64	2	1300	51.18	690	27.17	1310	51.57	400	15.75	1310	51.57	240	9.45	√			
DPEW 1612	013430080	4 (600 x 125 mm) / (23.62" x 4.92")	1600	62.99	1220	48.03	820	32.28	204,8	1,87	2	1500	59.06	690	27.17	1510	59.45	400	15.75	1510	59.45	240	9.45	√			
DPEW 1812	013430100	4 (700 x 125 mm) / (26.56" x 4.92")	1800	70.87	1220	48.03	820	32.28	230,5	2,10	2	1700	66.93	690	27.17	1710	67.32	400	15.75	1710	67.32	240	9.45	√			
DPEW 2012	013430120	4 (800 x 125 mm) / (31.50" x 4.92")	2000	78.74	1220	48.03	820	32.28	256,2	2,35	2	1900	74.80	690	27.17	1910	75.20	400	15.75	1910	75.20	240	9.45	√			
DPEW 815	013430140	2 (600 x 125 mm) / (23.62" x 4.92")	800	31.50	1500	59.06	950	37.40	115,4	1,25	2	700	27.56	690	27.17	710	27.95	430	16.93	710	27.95	460	18.11	√			
DPEW 1015	013430160	2 (700 x 125 mm) / (26.56" x 4.92")	1000	39.37	1500	59.06	950	37.40	144,1	1,64	2	900	35.43	690	27.17	910	35.83	430	16.93	910	35.83	460	18.11	√			
DPEW 1215	013430180	2 (1000 x 125 mm) / (39.37" x 4.92")	1200	47.24	1500	59.06	950	37.40	172,8	1,96	2	1100	43.31	690	27.17	1110	43.70	430	16.93	1110	43.70	460	18.11	√			
DPEW 1415	013430200	2 (1200 x 125 mm) / (47.24" x 4.92")	1400	55.12	1500	59.06	950	37.40	200,5	2,29	2	1300	51.18	690	27.17	1310	51.57	430	16.93	1310	51.57	460	18.11	√			
DPEW 1615	013430220	4 (600 x 125 mm) / (23.62" x 4.92")	1600	62.99	1500	59.06	950	37.40	229,2	2,62	2	1500	59.06	690	27.17	1510	59.45	430	16.93	1510	59.45	460	18.11	√			
DPEW 1815	013430240	4 (700 x 125 mm) / (26.56" x 4.92")	1800	70.87	1500	59.06	950	37.40	257,8	2,95	2	1700	66.93	690	27.17	1710	67.32	430	16.93	1710	67.32	460	18.11	√			
DPEW 2015	013430260	4 (800 x 125 mm) / (31.50" x 4.92")	2000	78.74	1500	59.06	950	37.40	286,5	3,27	2	1900	74.80	690	27.17	1910	75.20	430	16.93	1910	75.20	460	18.11	√			

from
50
to
400 mm
/
from
1.97"
to
15.75"