

PUSH BUTTON AND TERMINAL BOXES

Designed to meet the multiple demands of sectors that must adhere to the highest standards of hygiene, offering simple installation and practicality.



- 30 TERMINAL BOX
MODEL ADH
- 32 PUSH BUTTON BOX
MODEL APH
- 34 TERMINAL BOX
MODEL ADN
- 36 PUSH BUTTON BOX
MODEL APN
- 38 ACCESSORIES

TECHNICAL BENEFITS

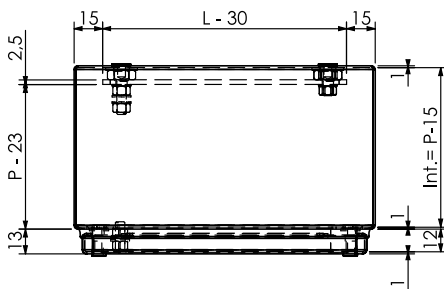
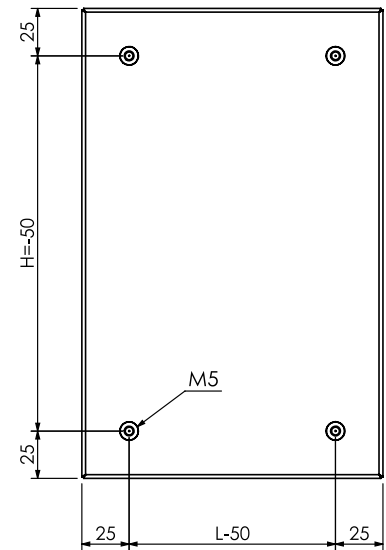
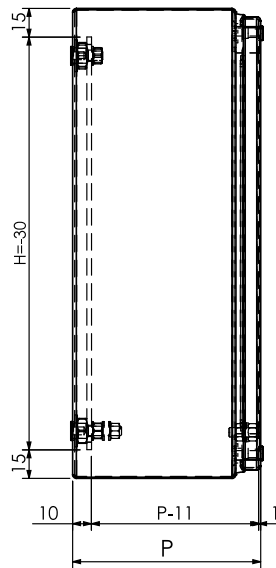
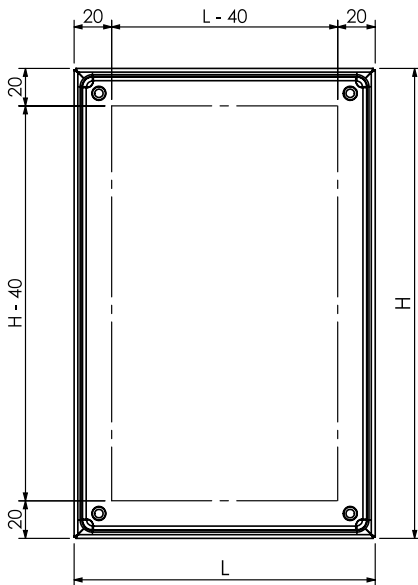
M5 bushes with dual purpose, supporting the internal plate (if present) and for fixing brackets or direct fixing to machinery.

Models APH and ADH supplied with silicone seal that can be removed for washing or replacement, ideal for use in food-industry settings and FDA approved.

Models APN and ADN equipped with silicone seal and O-rings as standard. Also supplied with an addition O-ring kit for settings where resistance to hydrocarbons is required.

TERMINAL BOX ADH

Terminal box in AISI 304L stainless steel, ideal for use in sectors requiring high standards of hygiene due to the profile design developed for easy cleaning. Blind screw-on cover featuring "clip-on" silicone seal, FDA approved. 25/10 FeZn internal plate. IP66 protection rating. IP67, IP69K, Atex and UL also available on request.



L = W (width)
H = H (height)
P = D (depth)

CERTIFICATIONS

As standard	IP66
On request	IP67 - IP69K - Atex 3GD - Atex 2GD - UKCA Ex UL/CSA

TECHNICAL DETAILS

Minimum dimensions	W= 80 mm H= 80 mm D= 60 mm
Maximum dimensions	W= 400 mm H= 400 mm D= 200 mm
Dimensional pitch	10 mm
Door drilling reference	W- 40 mm H- 40 mm
Internal plate	Applicable when at least one side is 100mm or more W- 30 mm H- 15 mm for enclosures with one side < 100 mm (2 M5 bushes) W- 30 H- 30 mm for enclosures with sides > 100 mm (4 M5 bushes)
Usable depth	D- 11 mm
Centre-to-centre distance for securing enclosure	H- 30 mm up to short side 100 mm (2 M5 bushes) H- 50 mm for models with sides > 100 mm (4 M5 bushes)

TECHNICAL DESCRIPTION

Type of steel	AISI 304L Scotch-brite
Cover spacers	The cover has a thickness of 10/10 when WxH is below 80,000 mm ² ; beyond this size the thickness is 12/10.
Cover	Blind
Cover opening	Detachable
Closing system	Screwed-on, M5*
Cover thickness	1 mm
Rear fastenings	M5 bushes
Internal plate	25/10 FeZn
Seal	Silicone

*Standard set of screws supplied dismantled: 4 hex-head screws + 4 slot-head screws.

CUSTOMISATION OPTIONS

Material	AISI 316L
Finishes	SN Coarse satin, BA Polished, 2B Matt, coating, micro shot-peening, passivation
Thicknesses	1.2 mm*
Rear fastenings	Stud bolts
Cover	<ul style="list-style-type: none"> • Application of Lexan STD, min. enclosure dimensions 130x130 mm • Application of Lexan UL, min. enclosure dimensions 150x150 mm • Application of 3+3 glass, min. enclosure dimensions 250x250 mm • Application of cover fall-prevention system
Sides	Option of incline on 4 sides, drilling H- 20 mm, W- 20 mm, D- 33 mm (10+23 mm)
Internal plate	Mounting on stud bolts, blind back, material A304L or A316L thickness 1.5 mm
Installation on mobile arm	Yes, with minimum depth of 110 mm
Handles	from H/W >180 mm

*To be verified during order phase

Product accessories

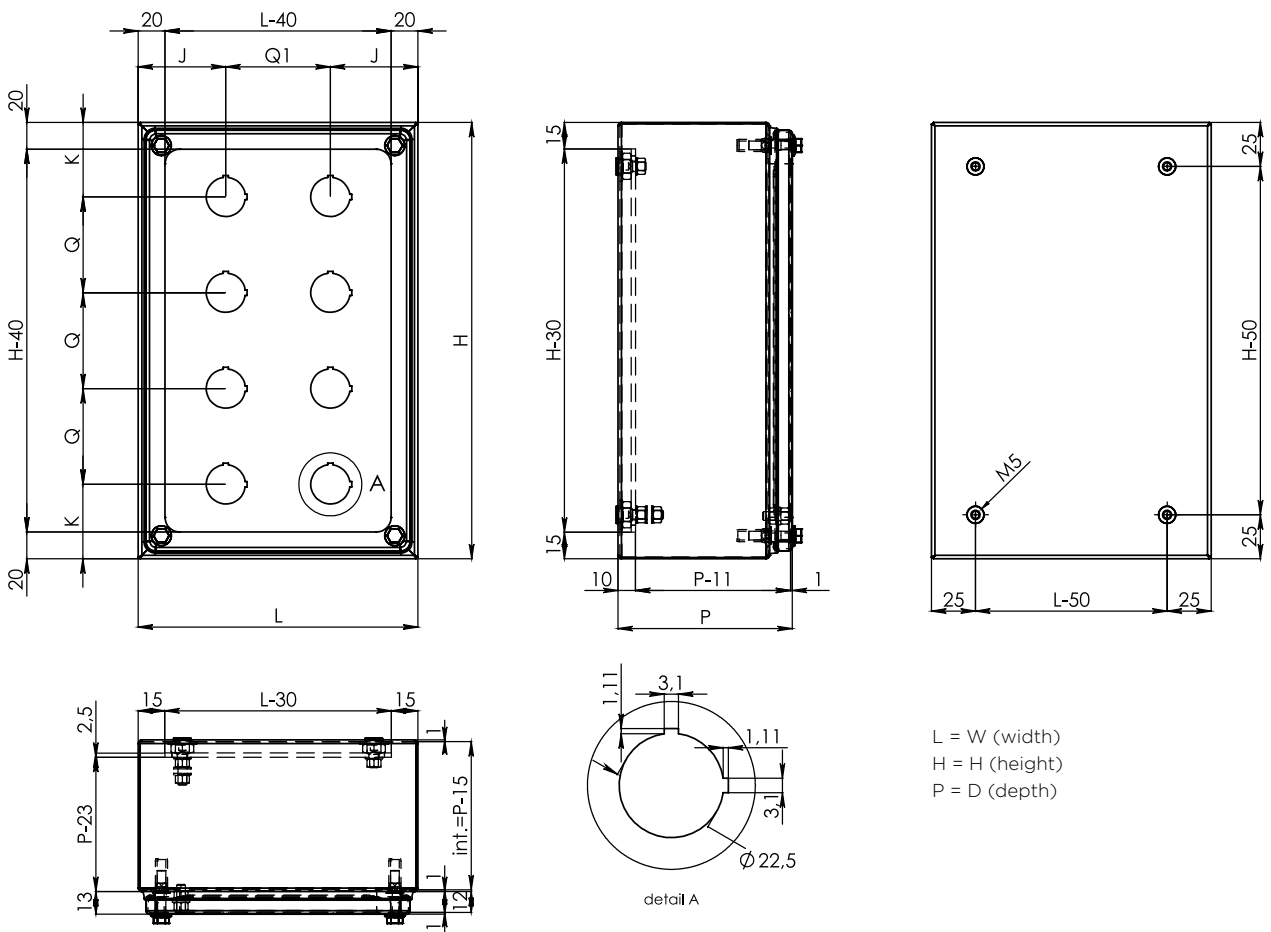
- / Flat wall brackets
- / Raised wall brackets
- / M5 wall-mounted spacers
- / Cable input gland plate
- / Pedestal model PD3210
- / DIN rail support

For more accessories, please consult the section "OTHER ACCESSORIES".



PUSH BUTTON BOX APH

Push button box in AISI 304L stainless steel, ideal for use in sectors requiring high standards of hygiene due to the profile design developed for easy cleaning. Screw-on cover featuring "clip-on" silicone seal, FDA approved, pre-drilled with $\varnothing 22.5$ mm holes. No internal plate. IP66 protection rating. IP67, IP69K, Atex and UL also available on request.



CERTIFICATIONS

As standard	IP66
On request	IP67 - IP69K - Atex 3GD - Atex 2GD - UKCA Ex UL/CSA

TECHNICAL DETAILS

Minimum dimensions	W= 80 mm H= 80 mm D= 60 mm
Maximum dimensions	W= 400 mm H= 400 mm D= 200 mm
Dimensional pitch	10 mm
Door drilling reference	W- 40 mm H- 40 mm
Internal plate	Not present
Usable depth	D- 11 mm
Centre-to-centre distance for securing enclosure	H- 30 mm up to short side 100 mm (2 M5 bushes) H- 50 mm for enclosures with sides > 100 mm (4 M5 bushes)

TECHNICAL DESCRIPTION

Type of steel	AISI 304L Scotch-brite
Cover spacers	The cover has a thickness of 10/10 when WxH is below 80,000 mm ² ; beyond this size the thickness is 12/10.
Cover	Drilled for buttons
Cover opening	Detachable
Closing system	Screwed-on, M5*
Cover thickness	1 mm
Rear fastenings	M5 bushes
Seal	Moulded silicone

*Standard set of screws supplied dismantled: 4 hex-head screws + 4 slot-head screws.

CUSTOMISATION OPTIONS

Material	AISI 316L
Finishes	SN Coarse satin, BA Polished, 2B Matt, coating, micro shot-peening, passivation
Thicknesses	1.2 mm*
Rear fastenings	Stud bolts
Cover	No. of button holes on request with limitations, drilling W- 40 mm H- 40 mm Application of cover fall-prevention system
Sides	Option of incline on 4 sides, drilling H- 20 mm, W- 20 mm, D- 33 mm (10+23 mm) <ul style="list-style-type: none"> • Can be applied when at least one side is greater than 100 mm • W- 30 mm H- 15 mm for enclosures with sides < 100 mm (2 bushes) • W- 30 mm H- 30 mm for enclosures with sides > 100 mm (4 bushes)
Internal plate	<ul style="list-style-type: none"> • Standard mounting on M5 bushes • Mounting on stud bolts, blind back • Material FeZn 2,5mm, A304L or A316L, thickness 1.5 mm
Configuration for assembly of mobile arm	Yes
Minimum depth depending on joint fitted	110 mm
Handles	From H/W >180 mm

*To be verified during order phase

Product accessories

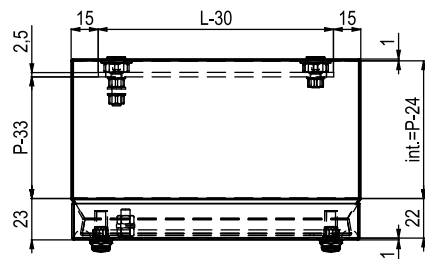
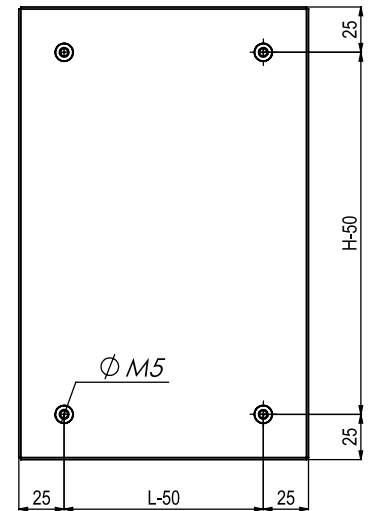
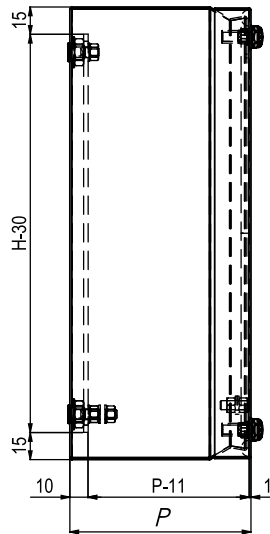
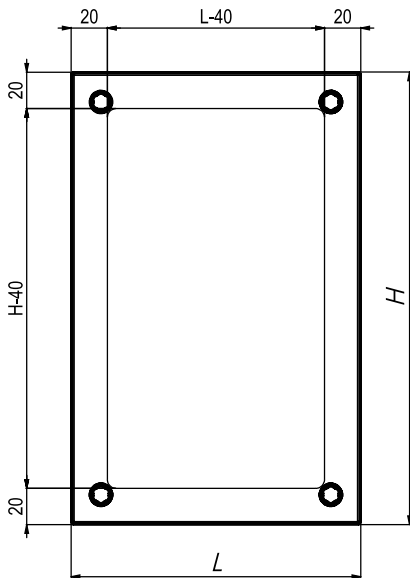
- / Flat wall brackets
- / Raised wall brackets
- / M5 wall-mounted spacers
- / Cable input gland plate
- / Pedestal model PD3210
- / DIN rail support

For more accessories, please consult the section "OTHER ACCESSORIES".



TERMINAL BOX ADN

Terminal box in AISI 304L stainless steel, ideal for use in the most demanding industrial sectors due to the positioning of the seal inside the cover, enabling it to be exposed to the most aggressive and challenging environments. Supplied as standard with O-ring kit that exceeds the compliance requirements of food-industry standards. Also supplied with addition O-ring kit for use in settings where resistance to hydrocarbons is required. Screw-on cover. 25/10 FeZn internal plate included for models with dimensions greater than or equal to W- 100 H- 100 mm. IP66, IP67, IP69K protection rating and UL certification as standard. ATEX on request.



L = W (width)
H = H (height)
P = D (depth)

CERTIFICATIONS

As standard

IP66 - IP67 - IP69K - UL/CSA

On request

ATEX 3GD - ATEX 2GD - UKCA Ex



TECHNICAL DETAILS

Minimum dimensions	W= 90 mm H= 90 mm D= 90 mm
Maximum dimensions	W= 400 mm H= 400 mm D= 200 mm
Dimensional pitch	10 mm
Door drilling reference	W- 60 mm H- 60 mm
Internal plate	Applicable when at least one side is 100mm or more W- 30 mm H- 15 mm for enclosures with one side < 100 mm (2 bushes) W- 30 mm H- 30 mm for enclosures with sides > 100 mm (4 bushes)
Usable depth	D- 11 mm
Centre-to-centre distance for securing enclosure	H- 30 mm for enclosures with side ≤ 100 mm (2 M5 bushes) H- 50 mm for enclosures with side > 100 mm (4 M5 bushes)

TECHNICAL DESCRIPTION

Type of steel	AISI 304L Scotch-brite
Thicknesses	From 1 to 1.2 mm depending on model dimensions
Cover spacers	The cover has a thickness of 10/10 when W and H are ≤ 350 mm, and 15/10 when either W or H is > 350 mm
Cover	Blind
Cover opening	Detachable
Closing system*	Screwed-on, M5, FDA-approved silicone under-head
Cover thickness	1 mm
Rear fastenings	M5 bushes
Internal plate	25/10 FeZn
Seal	Silicone

*NBR under-heads supplied.

CUSTOMISATION OPTIONS

Material	AISI 316L
Finishes	SN Coarse satin, BA Polished, 2B Matt, coating, micro shot-peening, passivation
Dimensions	Up to W- 600 mm H- 600 mm D- 200 mm with 15/10 thickness
Thicknesses	Option of cover and door with 2 or 3 mm thickness
Rear fastenings	Stud bolts
Cover	Drilling W-60 mm H-60 mm, Lexan STD min. 150x150 mm, Lexan UL min. 170x170 mm, 3+3 glass min. 250x250 mm
Sides	Application of cable gland plate on sides, top and bottom certified ATEX 2GD drilling, H- 20 mm W- 20 mm D- 33 mm (10+23 mm)
Internal plate	<ul style="list-style-type: none"> • Mounting on stud bolts, blind back • Material A304L or A316L Sp 1.5mm
Configuration for assembly of mobile arm	Yes
Minimum depth depending on joint fitted	110 mm
Handles	from H/W >180 mm
Seal	Polyurethane

Product accessories

- / Flat wall brackets
- / Raised wall brackets
- / M5 wall-mounted spacers
- / Pedestal model PD3210
- / DIN rail support
- / Cable input gland plate

For more accessories, please consult the section "OTHER ACCESSORIES".

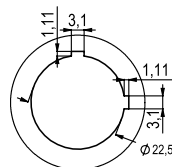
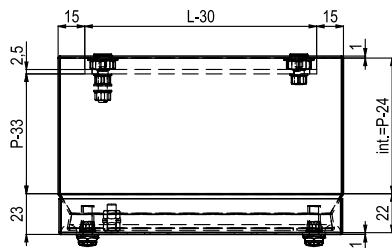
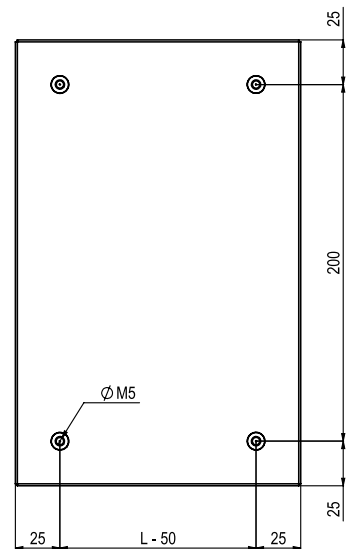
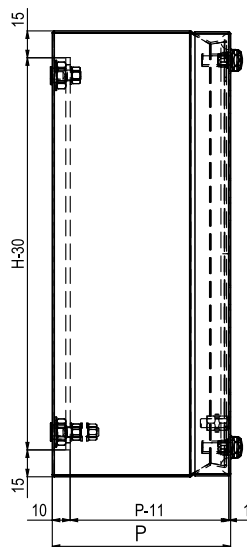
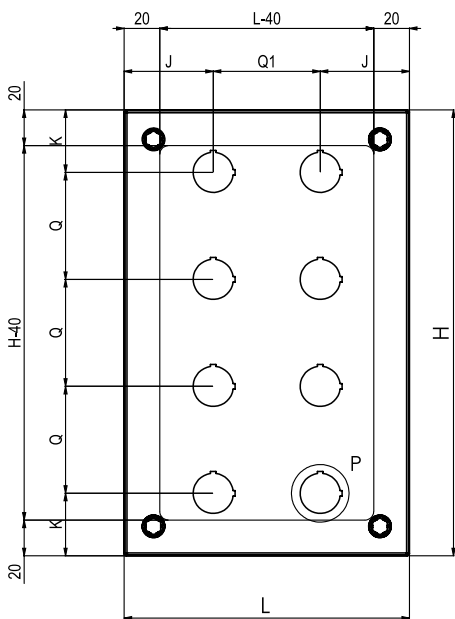


PUSH BUTTON BOX APN

Push button box in AISI 304L stainless steel, ideal for use in the most demanding industrial sectors due to the positioning of the seal inside the cover, enabling exposure to the most aggressive and harshest environments. Equipped with O-ring kit for securing cover screws that exceeds the compliance requirements of food-industry standards. Also supplied with addition O-ring kit for use in settings where resistance to hydrocarbons is required. Screw-on pre-drilled cover.

No internal plate.

IP66, IP67, IP69K protection rating and UL certification as standard. ATEX on request.



detail P

L = W (width)
H = H (height)
P = D (depth)

CERTIFICATIONS

As standard

IP66 - IP67- IP69K - UL/CSA

On request

ATEX 3GD - ATEX 2GD - UKCA Ex



TECHNICAL DETAILS

Minimum dimensions	W= 90 mm H= 90 mm D= 90 mm
Maximum dimensions	W= 400 mm H= 400 mm D= 200 mm
Dimensional pitch	10 mm
Door drilling reference	W- 60 mm H- 60 mm
Internal plate	Not present
Usable depth	D- 11 mm
Centre-to-centre distance for securing enclosure	H- 30 mm for enclosures with side \leq 100 mm (2 M5 bushes) H- 50 mm for enclosures with side $>$ 100 mm (4 M5 bushes)

TECHNICAL DESCRIPTION

Type of steel	AISI 304L Scotch-brite
Thicknesses	From 1 to 1.2 mm depending on model dimensions
Cover	Drilled for buttons
Cover opening	Detachable
Door thicknesses	The door has a thickness of 10/10 when W and H are \leq 350 mm, and 15/10 when either W or H is $>$ 350 mm
Closing system*	Screwed-on, M5, FDA-approved silicone under-head
Cover thickness	1 mm
Rear fastenings	M5 bushes
Internal plate	25/10 FeZn
Seal	Silicone

*NBR under-heads supplied.

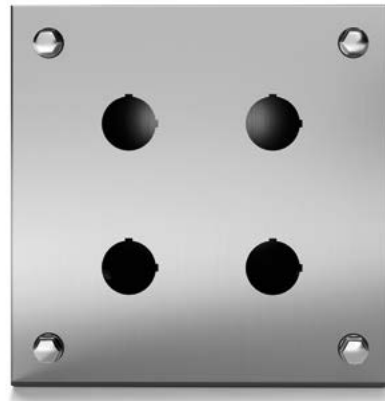
CUSTOMISATION OPTIONS

Material	AISI 316L
Finishes	SN Coarse satin, BA Polished, 2B Matt, coating, micro shot-peening, passivation
Dimensions	Up to W- 600 mm H- 600 mm D- 200 mm with 15/10 thickness
Thicknesses	Option of cover and door with 2 or 3 mm thickness
Rear fastenings	Stud bolts
Cover	No. of button holes on request with limitations, drilling W- 60 mm H- 60 mm
Sides	Application of cable gland plate on sides, top and bottom certified ATEX 2GD drilling, H- 20 mm W- 20 mm D- 33 mm (10+23 mm)
Internal plate	Can be applied when at least one side is greater than 100 mm W- 40 mm H- 15 mm for enclosures with sides $<$ 100 mm (2 bushes) W- 30 mm H- 30 mm for enclosures with sides $>$ 100 mm (4 bushes) Standard mounting on M5 bushes Mounting on stud bolts, blind back Material A304L or A316L, thickness 1.5 mm
Configuration for assembly of mobile arm	Yes
Minimum depth depending on joint fitted	110 mm
Handles	from H/W $>$ 180 mm
Seal	Polyurethane

Product accessories

- / Flat wall brackets
- / Raised wall brackets
- / M5 wall-mounted spacers
- / Pedestal model PD3210
- / DIN rail support
- / Cable input gland plate

For more accessories, please consult the section "OTHER ACCESSORIES".



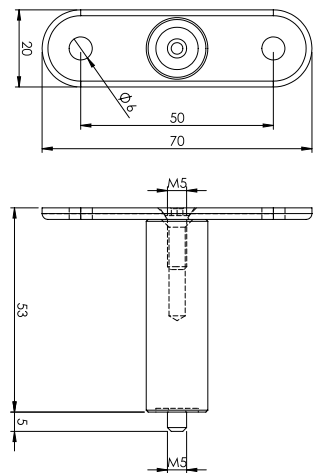
ACCESSORIES

A wide range of accessories are available for every single standard or customised model, meeting all specific requirements. Certain accessories require special adaptation of the enclosure, and their application may alter the IP protection rating or affect certifications. Check when ordering.

BRACKETS

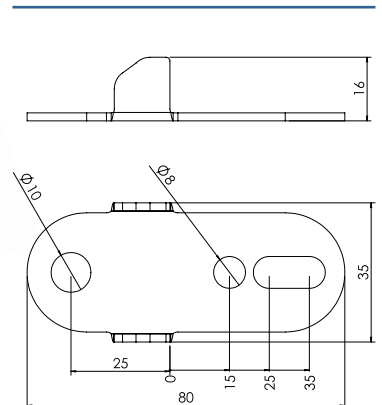
M5 WALL-MOUNTED SUPPORT SPACERS

Code	Description
Q4SV00023501335	Support spacers in AISI 304L stainless steel for M5 screws. 1 piece.
Q4SV00023500195	Support spacers in AISI 304L stainless steel for M5 screws. Kit with 2 wall-mounted spacers.



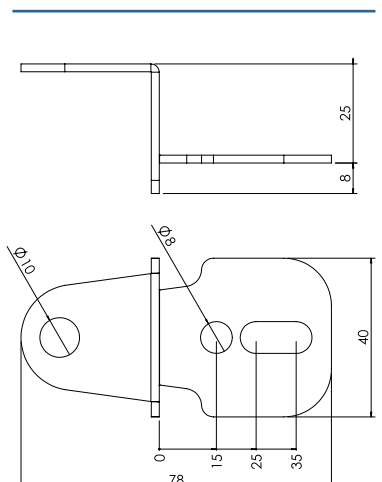
FLAT WALL BRACKETS

Code	Description
Q4SV00023500009	Brackets in AISI 304L stainless steel, to screw onto the bushes at the rear of the enclosures. Supplied with fixing screws. Kit with 4 flat brackets.



RAISED WALL BRACKETS

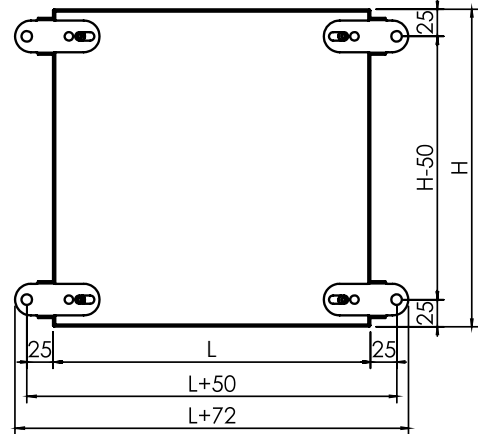
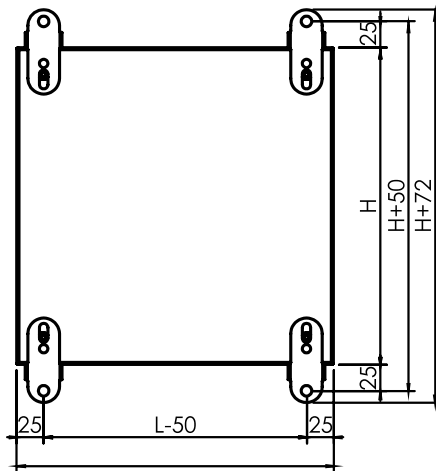
Code	Description
Q4SV00023500002	Raised wall brackets (H = 25 mm) in AISI 304L stainless steel, to screw onto the bushes at the rear of the enclosures. Supplied with fixing screws. Kit with 4 raised wall brackets.



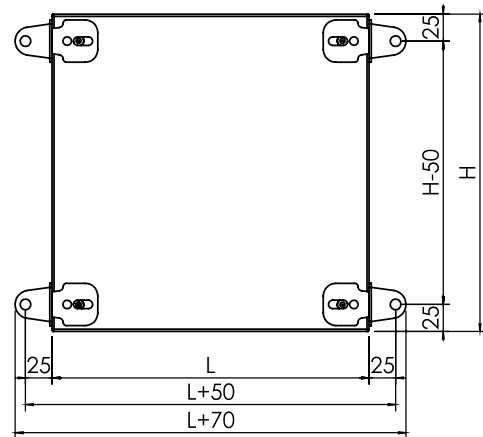
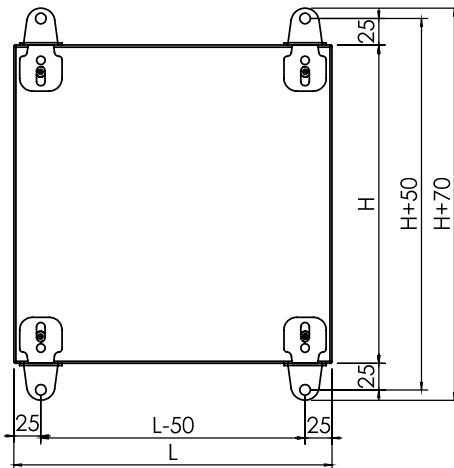
Accessories must always be specified during quote and order phase.

Application of brackets to enclosure

Application
of FLAT wall
brackets to
enclosure



Application of
RAISED wall
brackets to
enclosure



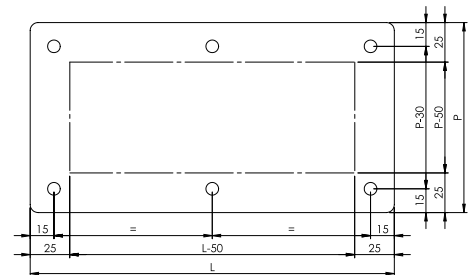
L = W (width)
H = H (height)

Accessories must always be specified during quote and order phase.

CABLE GLAND PLATES

CABLE INPUT GLAND PLATE

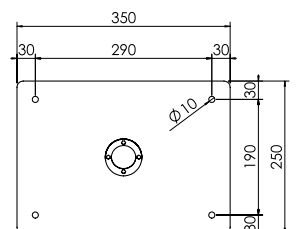
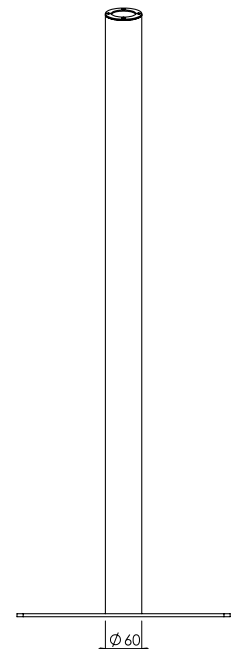
Item	Description
Special accessory (specify dimensions during quote/order phase)	Flat plate in AISI 304L stainless steel equipped with seal and fixing screws, suitable for use with cable glands.



PEDESTALS

PEDESTAL - MODEL PD 3210

Code	Description
Q4SV00023500184	Pedestal for push button and terminal boxes, consisting of a 5 mm base ready to secure to the floor and Ø 60 mm tubular structure for fixing.



Accessories must always be specified during quote and order phase.

DIN RAIL SUPPORT

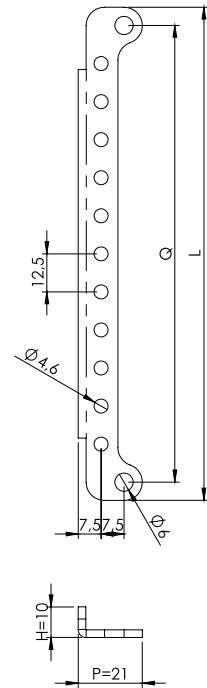
Pre-drilled $\varnothing 4.6$ mm support, suitable for fixing DIN rail inside terminal and push button boxes. Kit with two supports.

Code	Model	External dimensions in mm			Q
		W	H	D	
Q4SV00023500165	MODEL DT 16	122	10	21	110
Q4SV00023500093	MODEL DT 20	162	10	21	150
Q4SV00023500166	MODEL DT 25	212	10	21	200
Q4SV00023500167	MODEL DT 30	262	10	21	250
Q4SV00023500168	MODEL DT 40	312	10	21	300

*Request adaptations/customisations for mounting.



L = W (width)
H = H (height)
P = D (depth)



For more accessories, please consult the section "OTHER ACCESSORIES".
Accessories must always be specified during quote and order phase.